

ELECTRONIC FINGERPRINT LOCK "MINI"



Application:

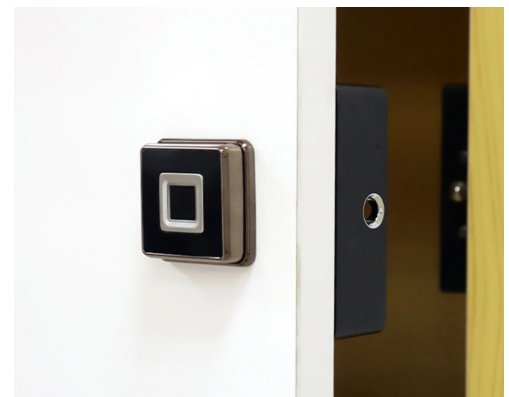
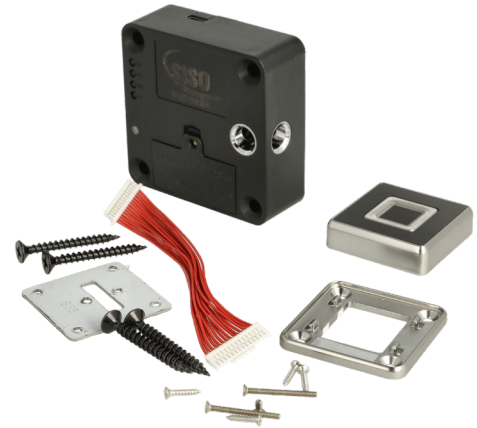
Suitable for companies, hotels, super market storage cabinets, schools, swim- & sauna bathing spots, golf courses & oilrigs. May be used for hinged doors & sliding doors.

Specifications:

Black ABS lock body case.
 Power supply by CR123A Lithium battery.
 Working temperature: -15 - +65 Celsius.
 Working humidity: <=90 %

Features:

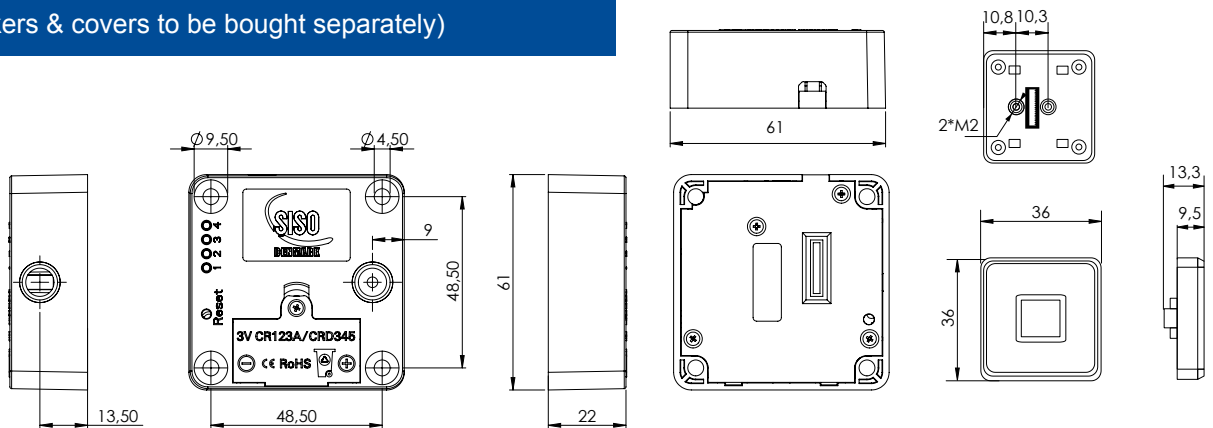
Pre-coded to public mode. May be changed to private or office mode by use of programming buttons on the lock. (see detailed user manual on www.siso.dk)
 100 fingerprints may be programmed per lock.
 W/ alarm function (may be switched off)
 Standalone lock. (No wiring needed)
 Visible installation. With fingerprint front panel.



Size: 61 x 61 x 22 mm

Item No.: # 14.60.290-5

(Batteries, strikers & covers to be bought separately)



Application:

For hinged doors & sliding doors.
 With push to open function.

Specifications:

Black ABS frame
 Steel body, spring & pins

Size: 60 x 24 x 17 mm

Item No.: # 14.60.276

